

3ISYS-API-1C1A/API-1C2A

INDUSTRIAL OUTDOOR IEEE 802.11 A/N WIRELESS ACCESS POINT
WITH 1X10/100BASE-T(X) POE P.D., IP-67 GRADE

FEATURES

- High Speed Air Connectivity: WLAN interface support up to 300Mbps link speed
- Highly Security Capability: WEP/WPA/WPA-PSK(TKIP,AES)/WPA2/WPA2-PSK(TKIP,AES)/802.1X Authentication supported
- High throughput > 80Mbps
- High power output 500mw
- Far Distance Air Connectivity up to 7 KM (IAP-W510+)
- Support X-Roaming < 100 ms
- Support wireless load balance
- Support AP/Bridge/Repeater/AP-Client/Client Mode
- Wireless connecting status monitoring
- HTTPs protocol supported for secured management
- Event Warning by Syslog, Email, SNMP Trap
- Rigid IP-67 housing design
- Pole-mount enabled



© 2014 3ISYS NETWORKS INC ALL RIGHTS RESERVED. THIS DOCUMENT IS 3ISYS PUBLIC INFORMATION ALL SPECIFICATIONS ARE SUBJECT TO CHANGE WITHOUT FURTHER NOTICE. ALL FEATURES WITH * MARK WILL BE AVAILABLE BY FIRMWARE UPGRADE.

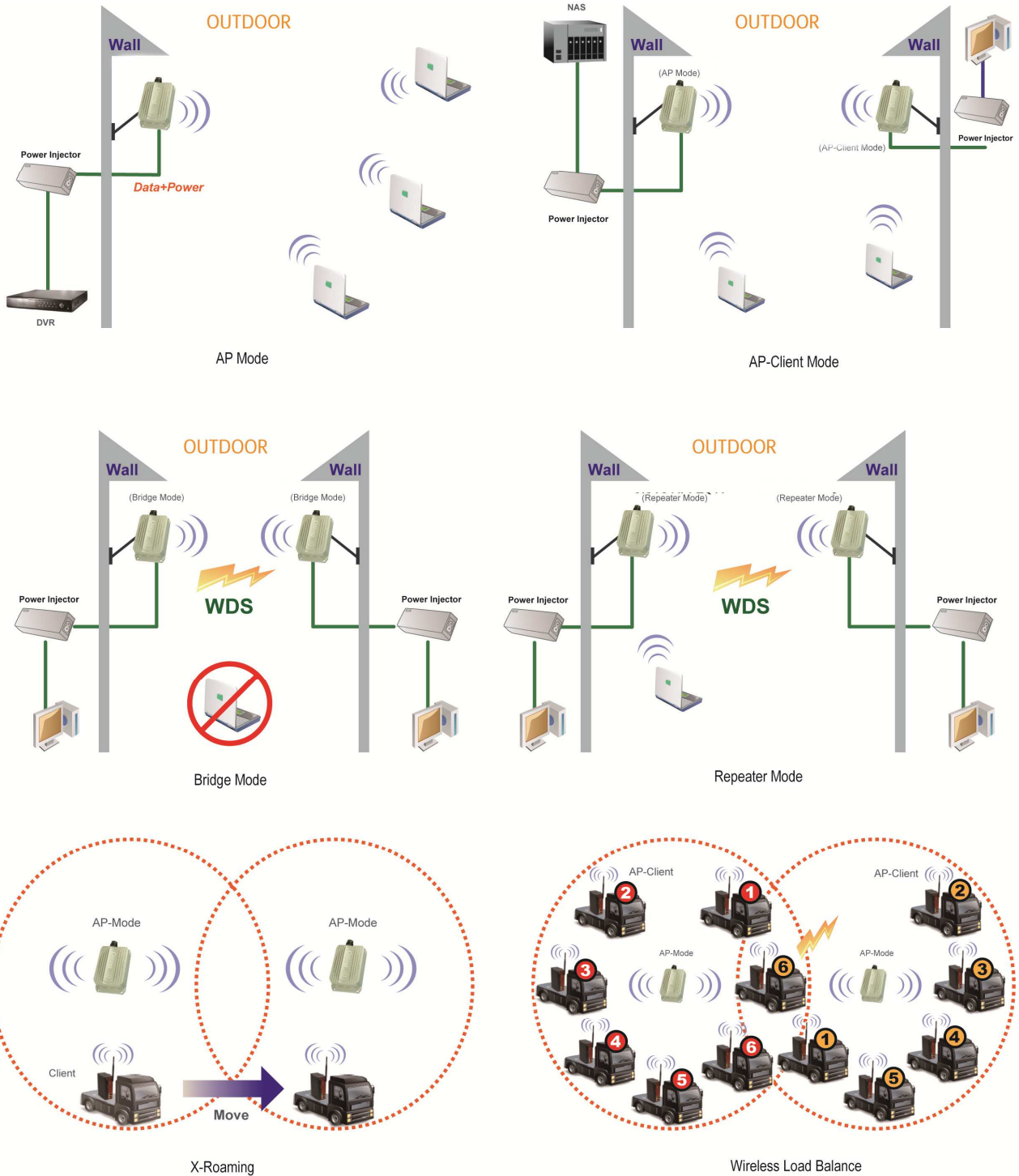
PRODUCT OVERVIEW

3ISYS-API-1C1A/API-1C2A is a reliable IP-67 outdoor IEEE 802.11 a/n WLAN Access Point with 1 PoE P.D. Ethernet port. It can be configured to operate in AP/Bridge/Repeater/AP-Client/Client/Turbo Client mode. It is specifically designed for the toughest industrial environments. In combination with its IP-67 design and the superb management functionality, 3ISYS-API-1C1A/API-1C2A provides water proof, dust-tight connection.

In addition, 3ISYS-API-1C2A provides high power output of 500mw and high throughput up to 80Mbps to satisfy far distance connection. 3ISYS-API-1Q-2A+ provides two N-type connectors, which can install any N-type antennas to extend communication distance. You are able to configure 3ISYS-API-1C1A/API-1C2A by WEB interface via LAN port or WLAN interface. In addition, 3ISYS-API-1C1A/API-1C2A also provides P.D. feature which is fully compliant with IEEE802.3af PoE P.D. specification to save the layout cost of power line. The 3ISYS-API-1C1A/API-1C2A can be easily adopted in almost all kinds of applications and provides the most rugged solutions for managing your network in outdoor. Therefore, 3ISYS-API-1C1A/API-1C2A is one of the best outdoor communication solutions for wireless applications.

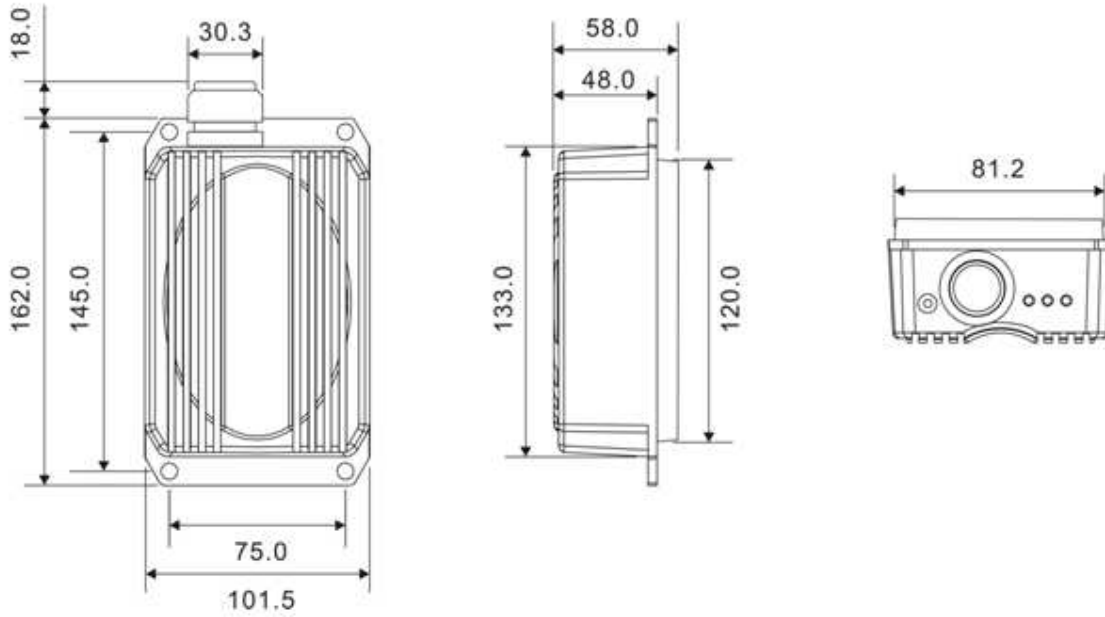
Practical Operation

In practical operation of wireless access point, Windows utility (System-Vision) is supported. This utility is very helpful for you to search and configure IP of access point on the industrial wireless network. In addition, the wireless access point support various kinds of operation modes include AP/Bridge/Repeater/AP-Client/Client mode. 3ISYS-API-1C1A also can connect to each other up to 7,000 meters with built-in panel antenna.

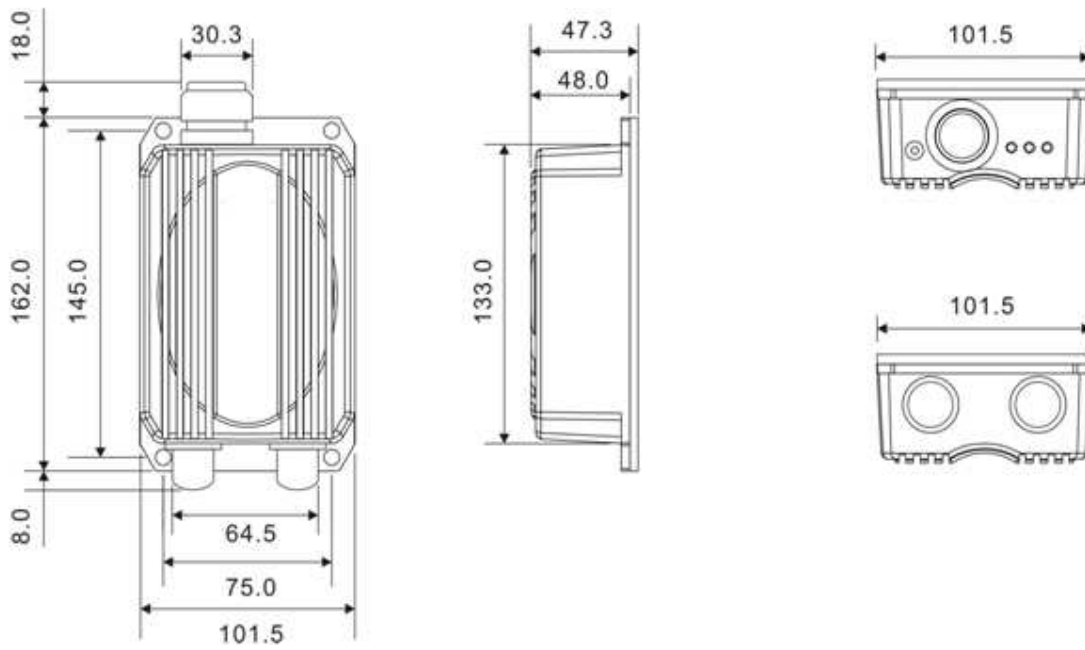


Dimension

3ISYS-API-1C1A



3ISYS-API-1C2A



Specifications

3ISYS WLAN Access Point Model	3ISYS-API-1C1A	3ISYS-API-1C2A
Physical Ports		
10/100 Base-T(X) Ports in RJ45 Auto MDI/MDIX	1	
WLAN interface		
Operating Mode	AP/Bridge/Repeater/AP-Client/Client	
Antenna Connector	Build-in 15dBi panel antenna	2 x External N-type antenna connector
Radio Frequency Type	OFDM	
Modulation	IEEE802.11a : OFDM with BPSK, QPSK, QAM, 64QAM IEEE802.11n : BPSK, QPSK, 16-QAM, 64-QAM	
Frequency Band	America / FCC : 5.15 to 5.825 GHz (13 channels) Europe CE / ETSI : 5.15 to 5.724 GHz (19 channels)	
Transmission Rate	IEEE802.11a: 6/ 9/ 12/ 18/ 24/ 36/ 48/ 54 Mbps IEEE801.11n: up to 300Mbps	
Transmit Power	IEEE802.11a/n: 500mw	
Receiver Sensitivity	-82dBm @ 54Mbps, PER< 10%; -78dBm@MCS 15(11n, 20MHz), PER< 10%; -75dBm@MCS 15(11n, 40MHz), PER< 10%	
Encryption Security	WEP: (64-bit ,128-bit key supported) WPA/WPA2 :802.11i(WEP and AES encryption) WPAPSK (256-bit key pre-shared key supported) 802.1X Authentication supported TKIP encryption	
Wireless Security	SSID broadcast disable	
Protocol Support		
Protocol	ARP,BOOTP, DHCP, DNS, HTTPS, IP, ICMP, SNMP, TCP, UDP, RADIUS, SNMP, STP (IEEE 802.1D)	
LED indicators		
Power indicator	PWR / Ready: 1 x LED Green On: Power is on and functioning Normally.	
10/100Base-T(X) RJ45 port indicator	1 x LED, Green On: Port Link Green Blinking: Transmitting data	
WLAN LED	1 x LED, Green for WLAN Link/ Act	
Power		
Input power	48VDC from P.o.E	
Power consumption (Typ.)	9 Watts	
Physical Characteristic		
Enclosure	IP-67	
Dimension (W x D x H)	162(W)x 102(D)x 58(H) mm (6.38x 4.02x 2.28 inch.)	162(W)x 102(D)x 48(H) mm (6.38x 4.02x 1.89 inch.)
Weight (g)	680 g	
Environmental		
Storage Temperature	-30 to 85°C (-22 to 185°F)	
Operating Temperature	-20 to 70°C (-4 to 158°F)	
Operating Humidity	100% Non-condensing	
Regulatory approvals		

EMI	FCC Part 15, CISPR (EN55022) class A
EMS	EN61000-4-2 (ESD), EN61000-4-3 (RS), EN61000-4-4 (EFT), EN61000-4-5 (Surge), EN61000-4-6 (CS), EN61000-4-8, EN61000-4-11
Shock	IEC60068-2-27
Free Fall	IEC60068-2-32
Vibration	IEC60068-2-6
Safety	EN60950-1
Warranty	1 year

Ordering Information

3ISYS-AAA-C-A

Module Identifier	Wireless protocols	Number of 10/100 Base-T(X) Ports	Number of antenna connector
API Access point	<ul style="list-style-type: none"> - 1: 802.11 b/g - 2: 802.11 a - 3: 802.11 a/b/g - 4: 802.11 b/g/n - 5: 802.11 a/n - 6: 802.11 a/b/g/n 	1	2

Optional Accessories

⌘ 3ISYS-API-1C1A/API-1C2A x 1	⌘ CD x 1	⌘ Quick Installation Guide x 1
⌘ Pole Mount Kit x 1	⌘ RJ-45 Rubber Seal x	⌘ N-type ANT. Rubber Seal x 1 (3ISYS-API-1C2A)



CONTACT DETAILS

#F-2, No. 12, Alley 112
Lane 12 Wen Hu Street Taipei, Taiwan
Ph: +886920221793

Office 508, The Fairmont
Shiekh Zayed Road, UAE
Ph: +97143116732

P.O. Box 74, P.C 102 CB 49
Al-Khuwair-233, Muscat
Ph: +96824488412

www.3isysnetworks.com

[Click to Read More](#)

© 2012 3ISYS Networks Inc All rights reserved. This document is 3ISYS Networks Public Information

All specifications are subject to change without further notice. All features with * mark will be available by firmware upgrade.